

# POLYETHYLENE HORIZONTAL LEG TANKS

— Specifically designed for pick-up trucks and flat decks

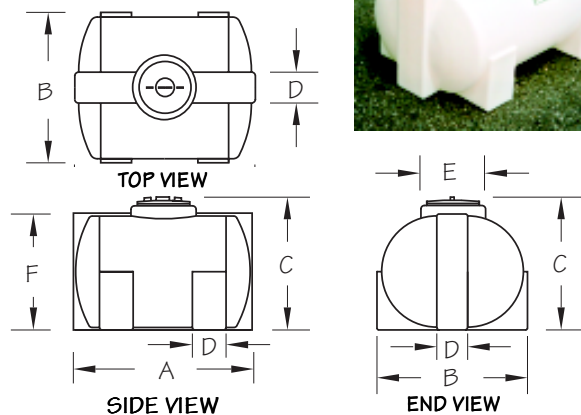
WATER HAULING – PRESSURE WASHING – FERTILIZER – BRINE – DRINKING WATER – WASTE STORAGE

*New low-profile design is self-supporting and increases stability when liquids are transported.*

*Flat surfaces on all sides of the tank provide greater flexibility in placing pipe connections.*

**FEATURES:**

- ★ **Lightweight food-grade polyethylene**  
(meets FDA Reg. 21 CFR 177.1520(c)3.1)
- ★ **Tough, long-lasting and easy to handle**
- ★ **Seamless construction – will not leak or corrode**
- ★ **UV stabilized for outside use**
- ★ **Environmentally safe**
- ★ **Fill/access cap and outlet provided** (see below)
- ★ **Colour – natural white**



**SELECTION GUIDE (U.S.A./Canada)**

VOLUME			MODEL NO.		DIMENSIONS (inches)							FILL/ACCESS DIAMETER (inches)	OUTLET DIAMETER* (inches)	LOADED WEIGHT (lbs.)
U.S. Gal.	Imp. Gal.	Litres	USA	Canada	Nominal Diameter	A	B	C	D	E	F			
54	45	200	LTU54	LT45	18	39¼	25	22	6	12	18¾	8	1	500
85	72	325	LTU85	LT72	24	39¼	30½	28¼	6	12	24½	8	1	775
155	130	590	LTU155	LT130	30	47	40½	34	8	16¼	30¼	12	2	1,370
210	175	795	LTU210	LT175	36	47	44	40¼	8	21¼	36	16	2	1,830
275	230	1040	LTU275	LT230	42	47	49¼	46¼	8	21¼	42	16	2	2,400
455	380	1725	LTU455	LT380	48	59¼	55½	51¼	8	21¼	47½	16	2	3,950

\* Threaded fitting supplied loose inside tank – can be factory installed as required.

Note: Exact measurements may vary.

Caution: Check maximum carrying capacity of vehicle prior to use.  
Driving with a partly-filled tank may be a safety hazard.

**Look for the PREMIER label of quality.  
PREMIER PLASTICS ... Good solid tanks!**



**PREMIER  
PLASTICS LTD.**

8328 River Way, Delta, BC, Canada V4G 1C4  
Bus: (604) 952-6686 Fax: (604) 952-6696  
Toll Free: 1-800-661-4473  
E-mail: premier@ultranet.ca  
www.premierplastics.com

Represented by: