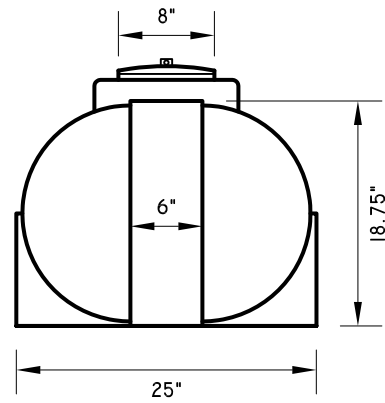
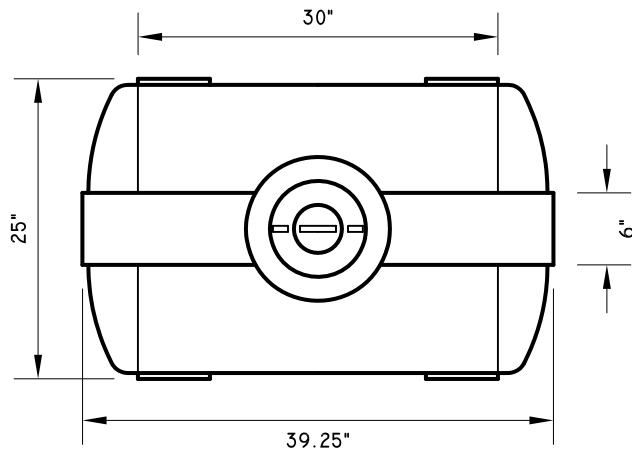


SIDE ELEVATION



END ELEVATION



TOP VIEW



8328 River Way  
Delta, BC, Canada  
V4G 1C4  
www.premierplastics.com

Toll Free: 1-800-661-4473  
Bus: (604) 952-6686  
Fax: (604) 952-6696  
E-mail: premier@ultranet.ca

## HORIZONTAL LEG TANK

45 IMP. GALLON - LT45  
54 US. GALLON - LTU54

POLYETHYLENE

DATE: DEC 2008

SCALE: NTS

DRAWN: SGM

DWG. No. LT45

REV.