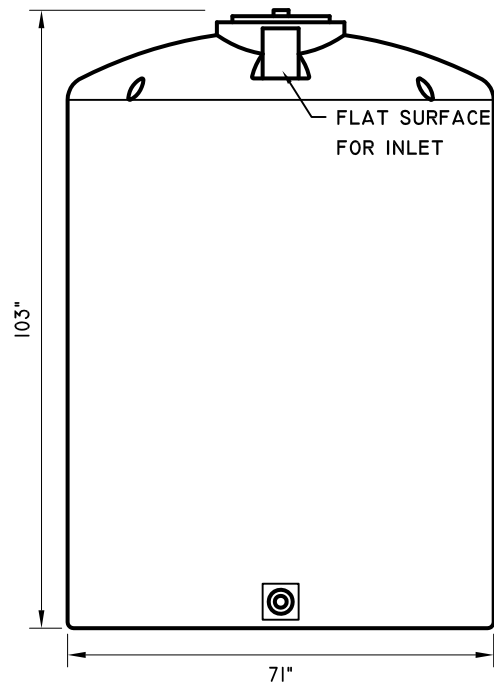
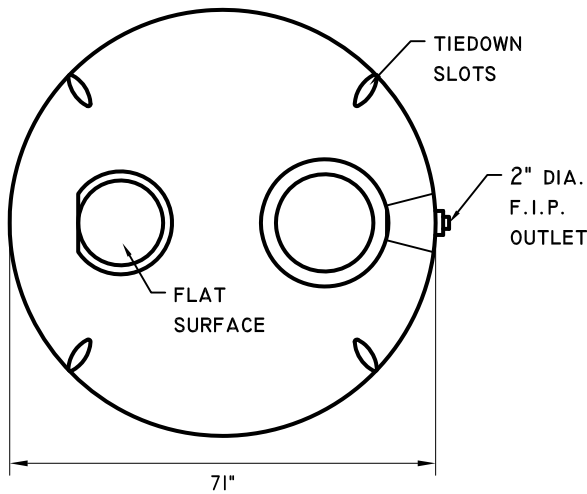


SIDE ELEVATION



FRONT ELEVATION



TOP VIEW



**PREMIER PLASTICS INC.**  
MANUFACTURERS OF ROTATIONALLY MOULDED PRODUCTS

8328 River Way  
 Delta, BC, Canada  
 V4G 1C4  
 www.premierplastics.com

Toll Free: 1-800-661-4473  
 Bus: (604) 952-6686  
 Fax: (604) 952-6696  
 E-mail: premier@ultranet.ca

## VERTICAL WATER TANK

1280 IMP. GALLON - VWI280  
 1535 US. GALLON - VUI535

POLYETHYLENE

DATE: JUNE 2008

SCALE: NTS

DRAWN: SGM

DWG. No. VWI280

REV.