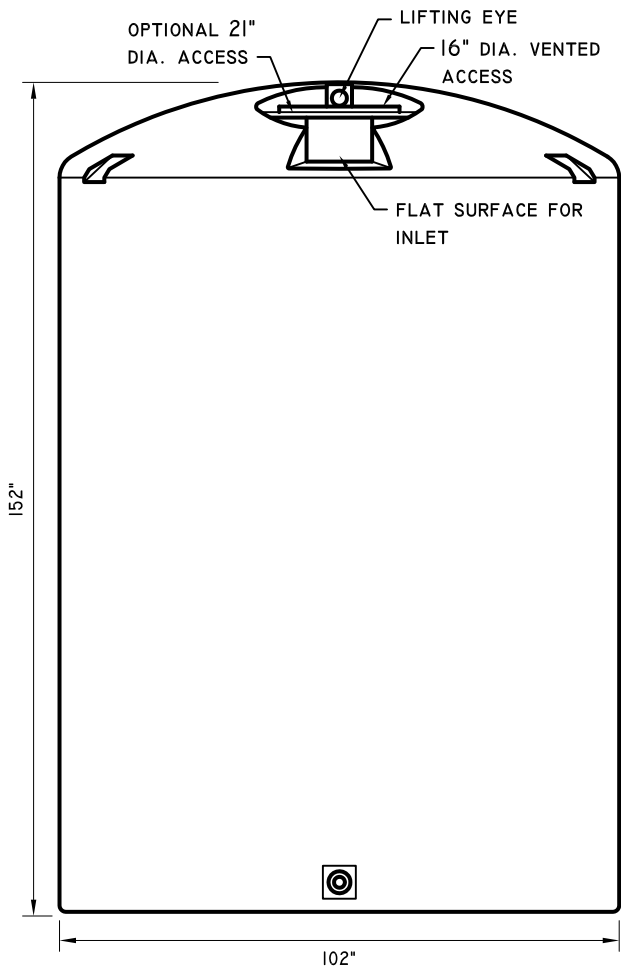
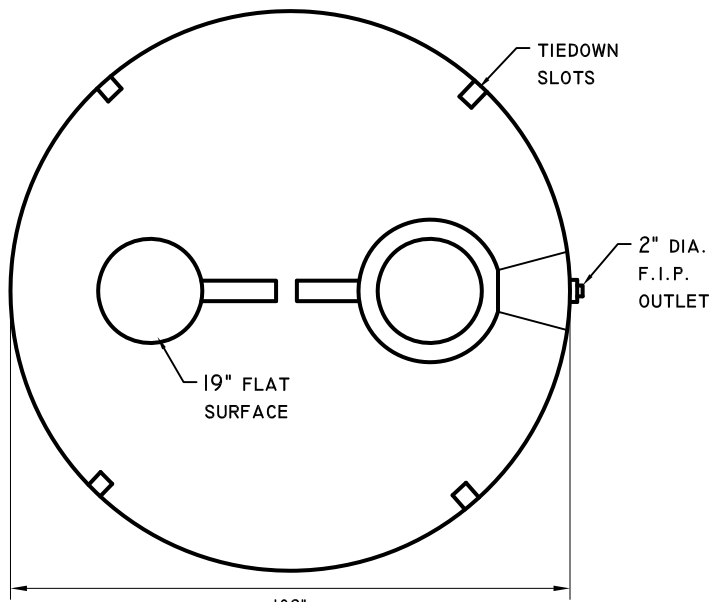


SIDE ELEVATION



FRONT ELEVATION



TOP VIEW



PREMIER PLASTICS INC.
MANUFACTURERS OF ROTATIONALLY MOULDED PRODUCTS

8328 River Way
 Delta, BC, Canada
 V4G 1C4
 www.premierplastics.com

Toll Free: 1-800-661-4473
 Bus: (604) 952-6686
 Fax: (604) 952-6696
 E-mail: premier@ultranet.ca

VERTICAL WATER TANK

4160 IMP. GALLON - VW4160
 4999 US. GALLON - VU4999

POLYETHYLENE

DATE: AUG 2008
SCALE: NTS
DRAWN: SGM
DWG. No. VW4160
REV.