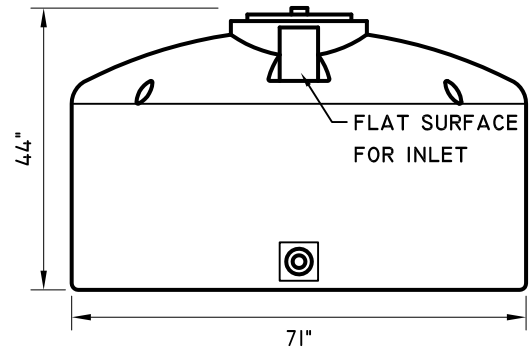
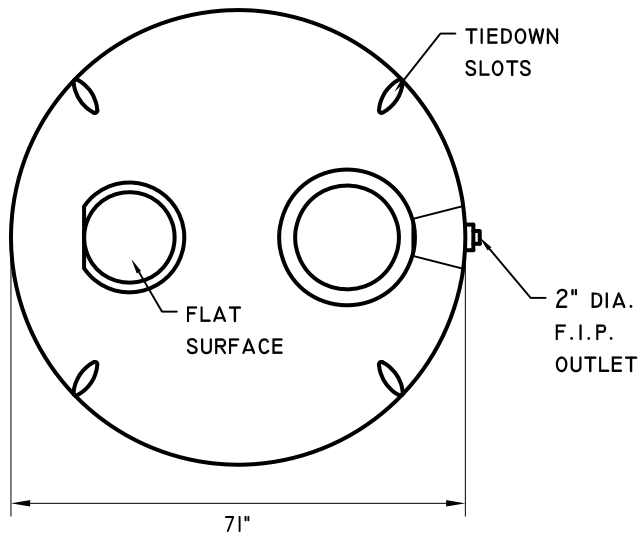


SIDE ELEVATION



FRONT ELEVATION



TOP VIEW



**PREMIER  
PLASTICS INC.**  
MANUFACTURERS OF ROTATIONALLY MOULDED PRODUCTS

8328 River Way  
Delta, BC, Canada  
V4G 1C4  
www.premierplastics.com

Toll Free: 1-800-661-4473  
Bus: (604) 952-6686  
Fax: (604) 952-6696  
E-mail: premier@ultranet.ca

## VERTICAL WATER TANK

480 IMP. GALLON - VW480  
575 US. GALLON - VU575

POLYETHYLENE

DATE: JUNE 2008

SCALE: NTS

DRAWN: SGM

DWG. No. VW480

REV.