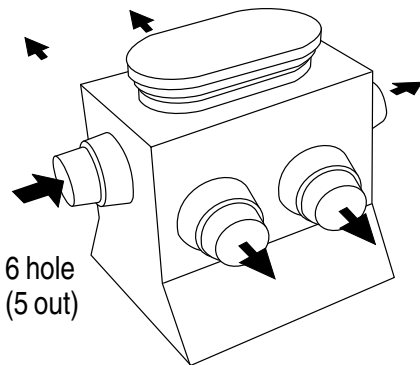


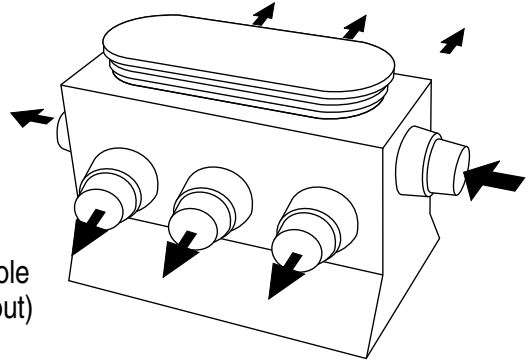
POLYETHYLENE 6 HOLE AND 8 HOLE DISTRIBUTION BOX (D-BOX)

— FOR SEPTIC DRAIN FIELDS



6 hole
(5 out)

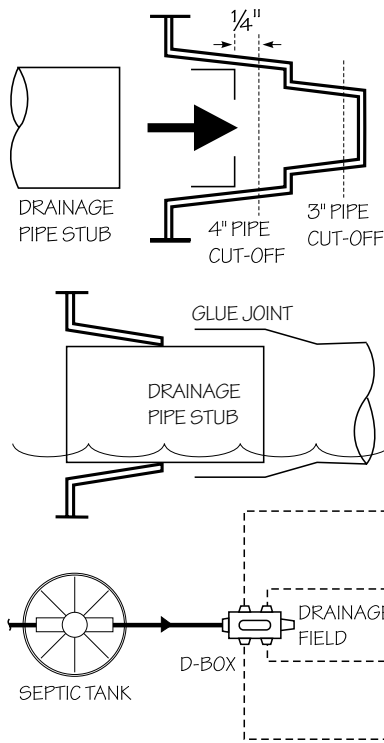
NOTE:
Not for use in pumped
or pressure systems.



8 hole
(7 out)

DISTRIBUTION BOX SPECIFICATIONS:

- ★ Model no. 6/4/3 (6 hole): 23½”L x 17”W x 17½” H
- ★ Model no. 8/4/3 (8 hole): 31”L x 17”W x 17½” H
- ★ Easy to install – light weight
- ★ Use with 3” or 4” drain lines
- ★ Dry seal connections
- ★ No mastic or grouting
- ★ Will not crack or corrode
- ★ Lasts virtually forever



INSTALLATION INSTRUCTIONS

1. Select nozzle(s) to be used. Note: Inlet is 3” higher than outlets.
2. Cut off end of cone at marker line. Use a fine sawblade.
3. Squeeze pipe stub through cone from inside. End of cone will expand over pipe to make friction-fit joint.
4. Install Tee-Y baffle on inlet pipe if required.
5. Lay D-Box completely level in bed of sand or clean soil.
6. Glue bell ends of drainage pipe to pipe stubs. If required by Health Department, connect 2’ -3’ of unperforated pipe to each outlet.
7. Check level prior to backfilling. Use ‘speed levellers’ if necessary.
8. Replace snap-on cover. Option: cover with board before backfilling.
9. Notes:
 1. For airtight cover, affix 1/16” thick adhesive closed cell foam tape around underside of cover.
 2. No ‘O’ rings required with this model.

Look for the PREMIER label of quality. PREMIER PLASTICS ... Good solid tanks!
www.premierplastics.com



www.premierplastics.com Toll-Free: 1-800-661-4473

Represented by: