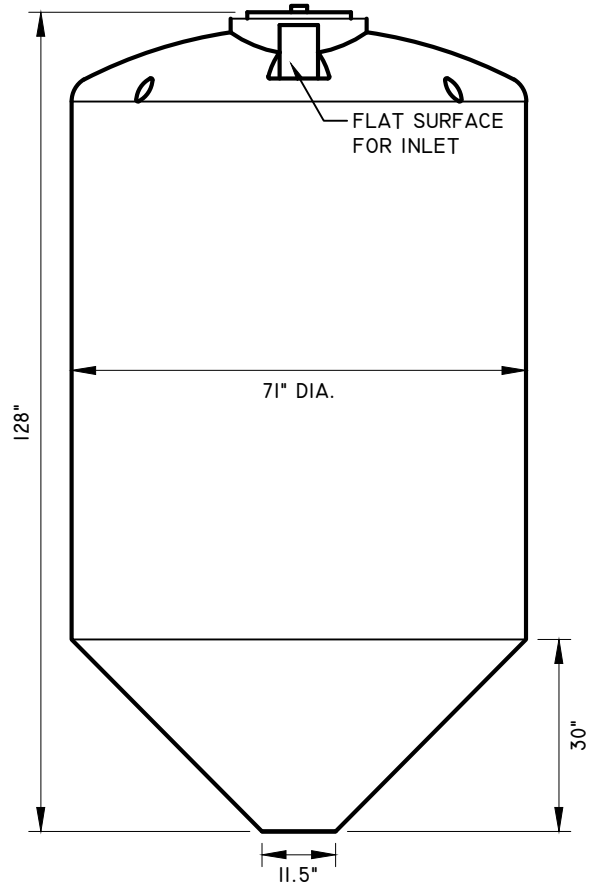
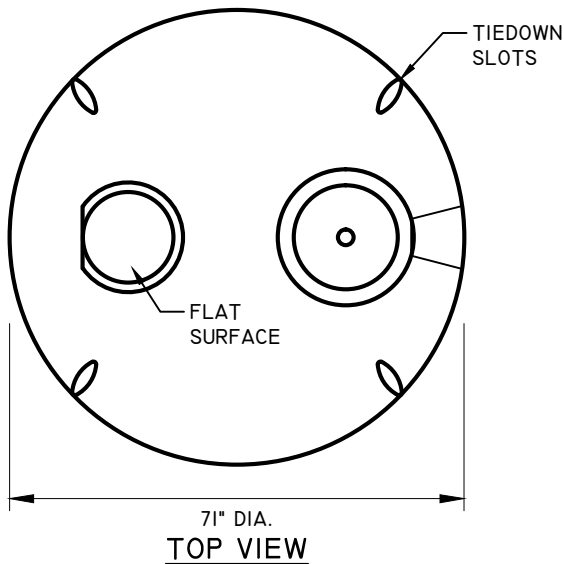


SIDE ELEVATION



FRONT ELEVATION



NOTES

- OPTIONAL ACCESS LIDS AND THRU-HULL FITTINGS ARE AVAILABLE UPON REQUEST
- REFER TO ALLANCO INT DRAWING FOR STAND DETAILS
- EARTHQUAKE RESTRAINTS IF REQUIRED - BY OTHERS
- ALL DIMENSIONS AND VOLUMES ARE NOMINAL



www.premierplastics.com 1-800-661-4473

CONE BOTTOM TANK

1390 IMP. GALLON - CB 1390
1680 US. GALLON - CBU 1680

POLYETHYLENE

DATE: MAY 2009

SCALE: 1:30

DRAWN: SGM

DWG. No. CB 1390

REV.