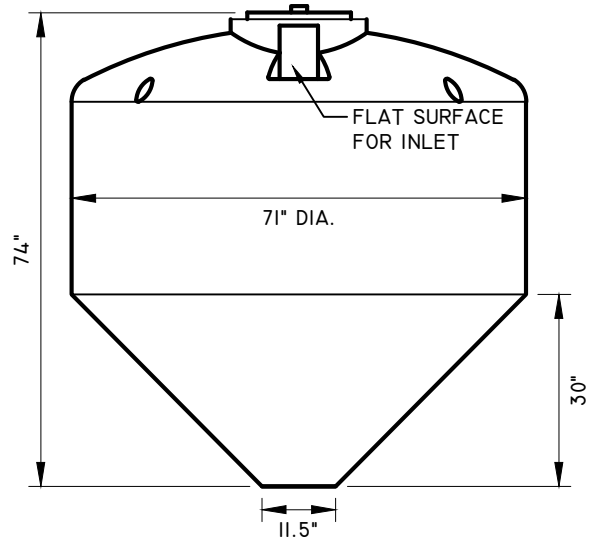
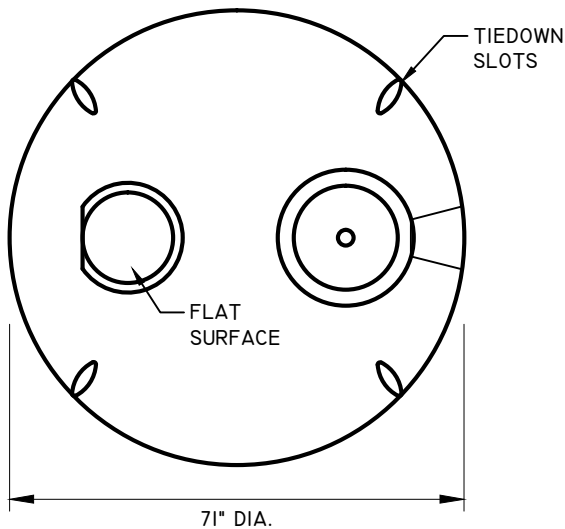


SIDE ELEVATION



FRONT ELEVATION



TOP VIEW

NOTES

- OPTIONAL ACCESS LIDS AND THRU-HULL FITTINGS ARE AVAILABLE UPON REQUEST
 - REFER TO ALLANCO INT DRAWING FOR STAND DETAILS
 - EARTHQUAKE RESTRAINTS IF REQUIRED - BY OTHERS
- ALL DIMENSIONS AND VOLUMES ARE NOMINAL



www.premierplastics.com 1-800-661-4473

CONE BOTTOM TANK

600 IMP. GALLON - CB 600

720 US. GALLON - CBU720

POLYETHYLENE

DATE: MAY 2009

SCALE: 1:30

DRAWN: SGM

DWG. No. CB 600

REV.