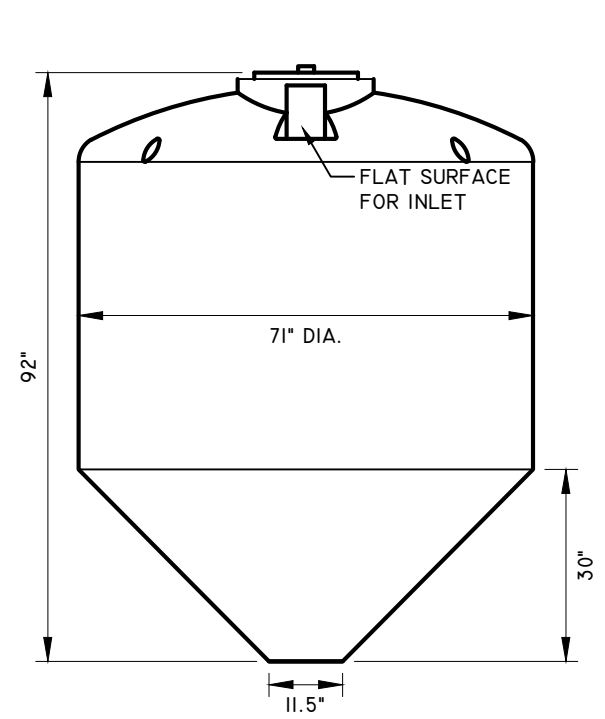
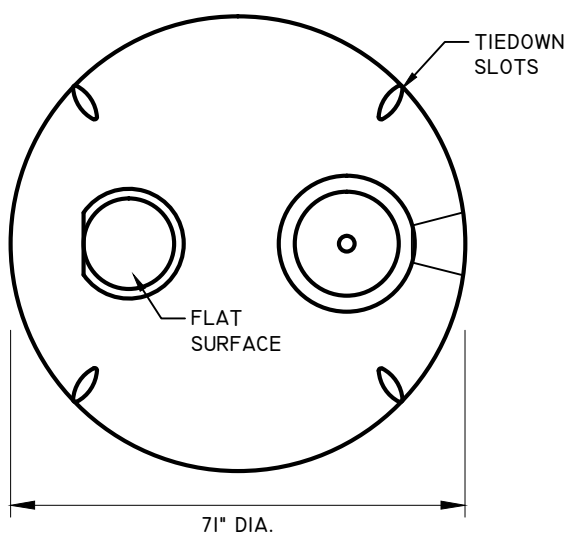


SIDE ELEVATION



FRONT ELEVATION



TOP VIEW

NOTES

- OPTIONAL ACCESS LIDS AND THRU-HULL FITTINGS ARE AVAILABLE UPON REQUEST
- REFER TO ALLANCO INT DRAWING FOR STAND DETAILS
- EARTHQUAKE RESTRAINTS IF REQUIRED - BY OTHERS
- ALL DIMENSIONS AND VOLUMES ARE NOMINAL

PREMIER
PLASTICS

www.premierplastics.com 1-800-661-4473

CONE BOTTOM TANK

920 IMP. GALLON - CB 920
1150 US. GALLON - CBU 1150

POLYETHYLENE

DATE: MAY 2009
SCALE: 1:30
DRAWN: SGM
DWG. No. CB 920
REV.