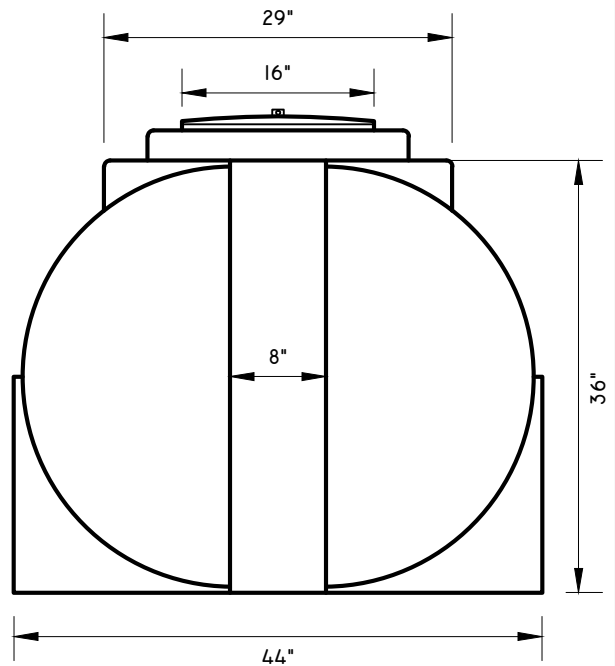
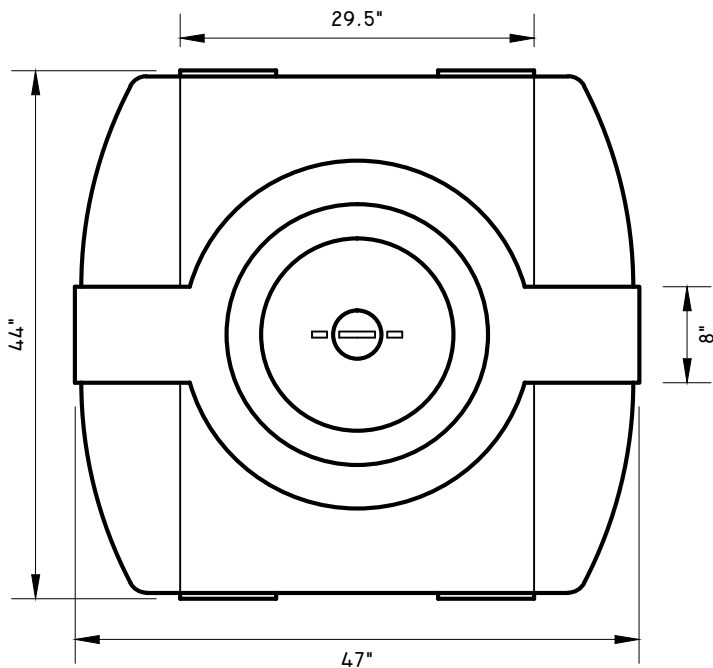


SIDE ELEVATION



END ELEVATION



TOP VIEW

NOTE: DIMENSIONS AND VOLUMES ARE NOMINAL



www.premierplastics.com 1-800-661-4473

HORIZONTAL LEG TANK

175 IMP. GALLON - LT175

POLYETHYLENE

DATE: NOV 2012

SCALE: NTS

DRAWN: SGM

DWG. No. LT175

REV. 1