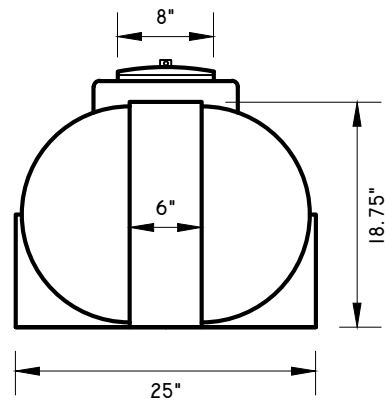
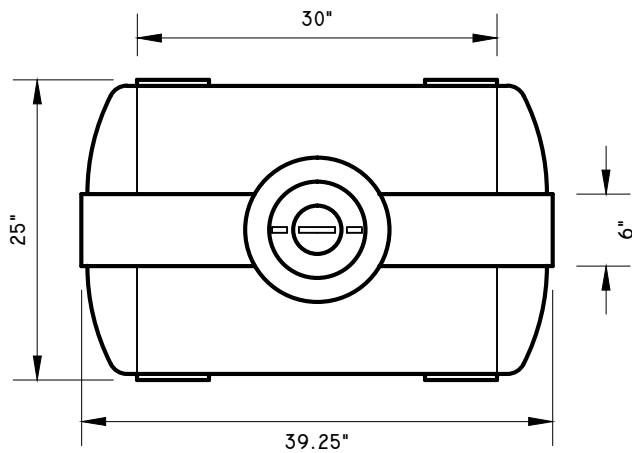


SIDE ELEVATION



END ELEVATION



TOP VIEW

NOTE: DIMENSIONS AND VOLUMES ARE NOMINAL



www.premierplastics.com 1-800-661-4473

HORIZONTAL LEG TANK

54 US. GALLON - LTU54

POLYETHYLENE

DATE: DEC 2008

SCALE: NTS

DRAWN: SGM

DWG. No. LTU54

REV.