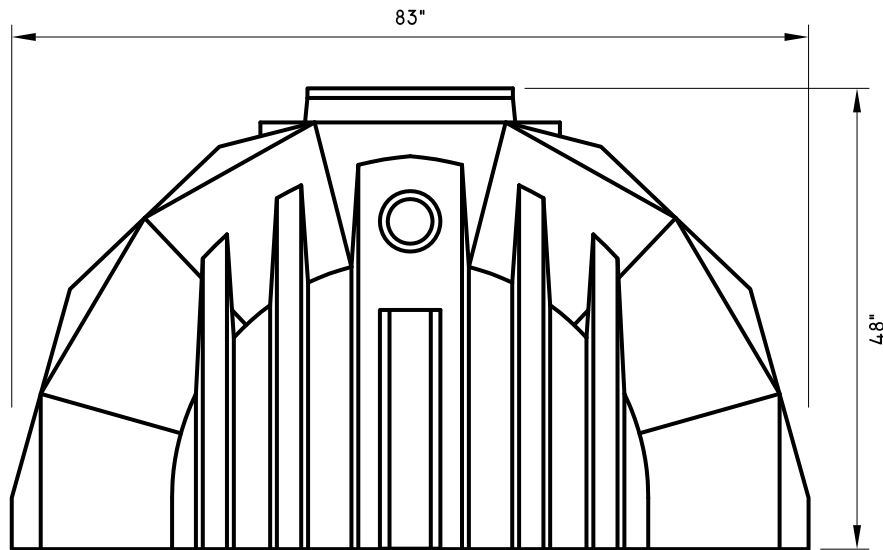


TOP VIEW



END ELEVATION

NOTE: DIMENSIONS AND VOLUMES ARE NOMINAL



www.premierplastics.com

Toll-Free; 1-800-661-4473

CISTERN 'SUPERTANK'

US MODEL: STCU1080 - 1080 US GAL

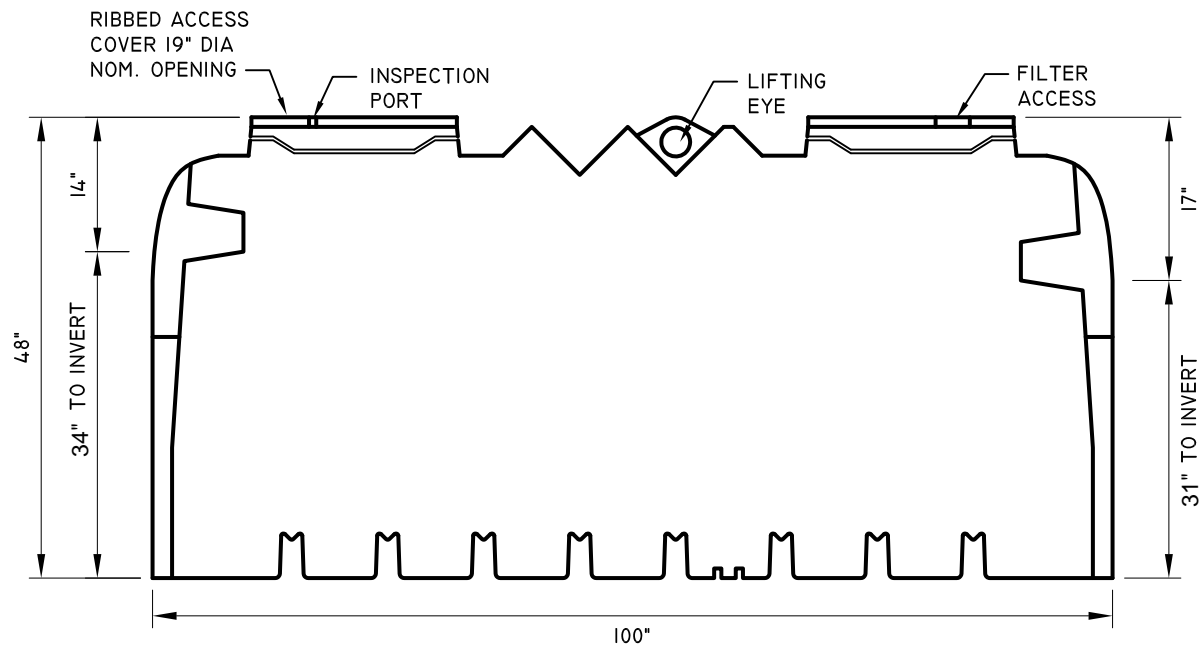
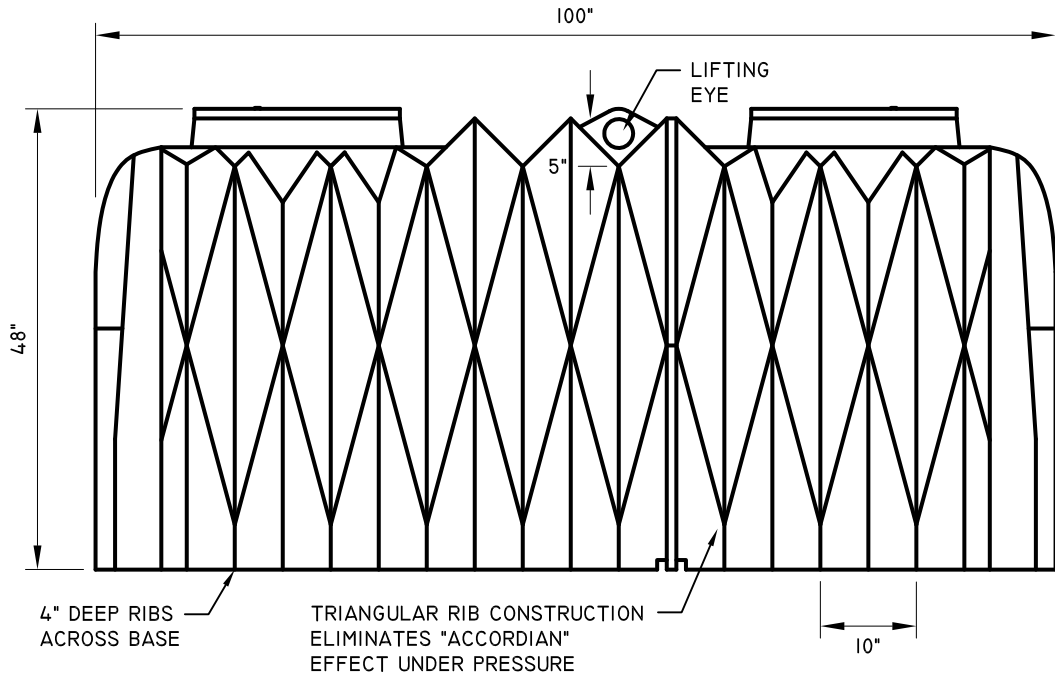
DATE: MAY 2010

SCALE: 1:20

DRAWN: SGM

SHEET. No. 1 OF 2

REV. US



NOTE: PIPE CONNECTION FITTINGS ORDERED AS REQUIRED

NOTE: DIMENSIONS AND VOLUMES ARE NOMINAL



CISTERN 'SUPERTANK'

DATE: MAY 2010

SCALE: 1:20

DRAWN: SGM

SHEET. No. 2 OF 2

REV. US

www.premierplastics.com

Toll-Free: 1-800-661-4473

US MODEL: STCU1080 - 1080 US GAL