

NOTE: DIMENSIONS AND VOLUMES ARE NOMINAL



www.premierplastics.com 1-800-661-4473

SEPTIC 'SUPERTANK'  
SINGLE CHAMBER  
CAN. MODEL STS900S - 920 IMP GAL

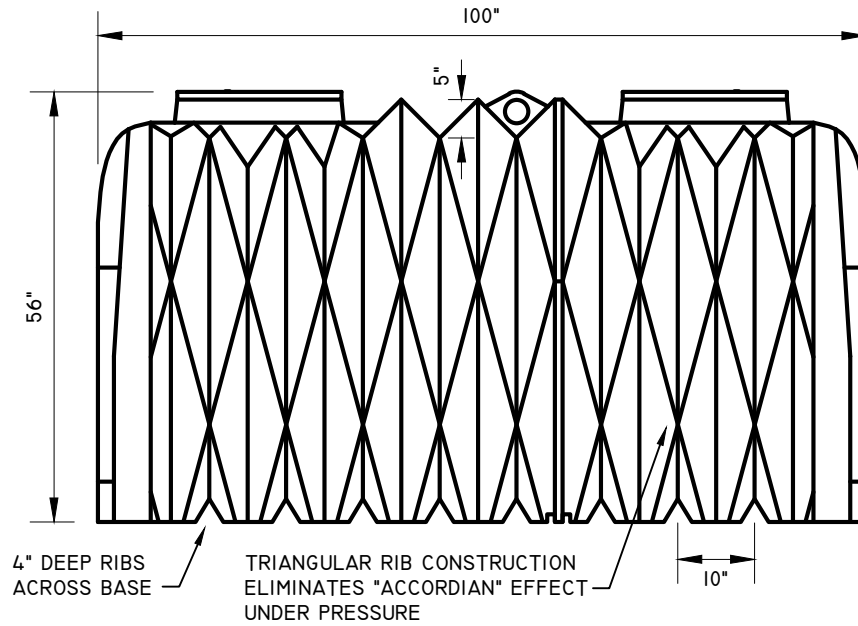
DATE: JUNE 2010

SCALE: NTS

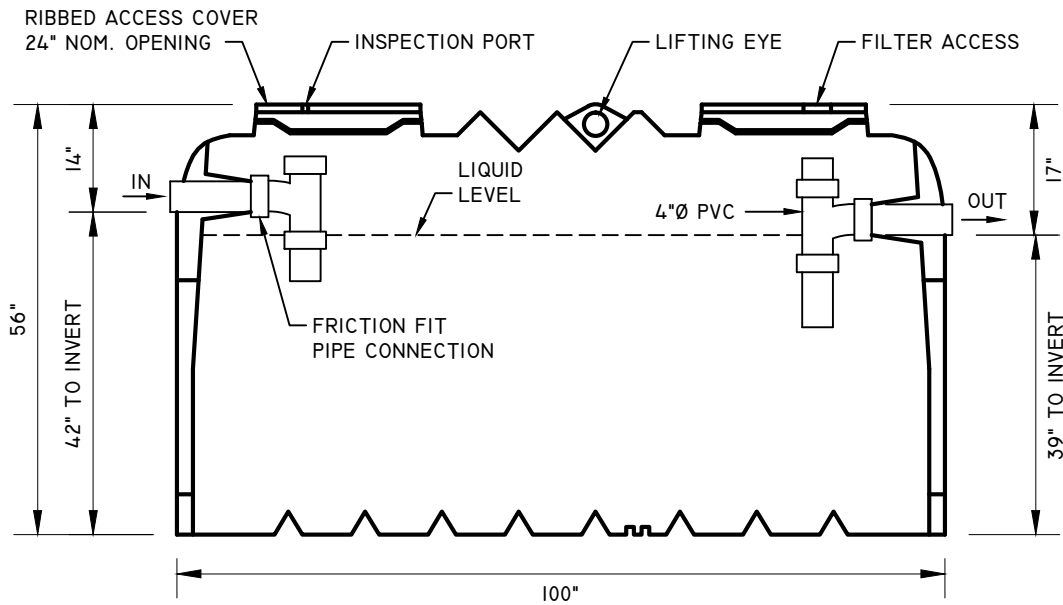
DRAWN: SGM

SHEET. No. 1 OF 2

REV. MAY 2015



ELEVATION



SECTION

NOTE: DIMENSIONS AND VOLUMES ARE NOMINAL



www.premierplastics.com 1-800-661-4473

SEPTIC 'SUPERTANK'  
 SINGLE CHAMBER  
 CAN. MODEL STS900S - 920 IMP GAL

DATE: JUNE 2010
SCALE: NTS
DRAWN: SGM
SHEET. No. 2 OF 2
REV. MAY 2015