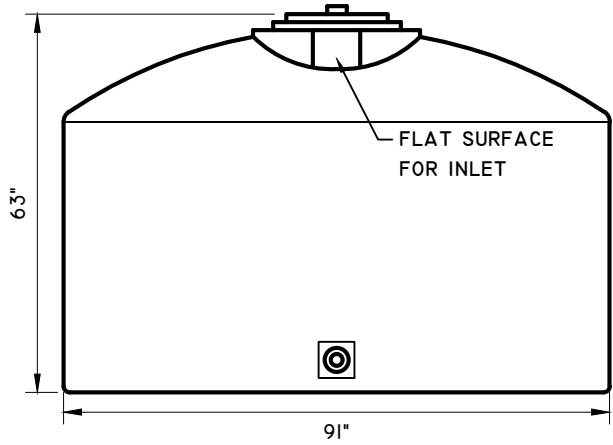
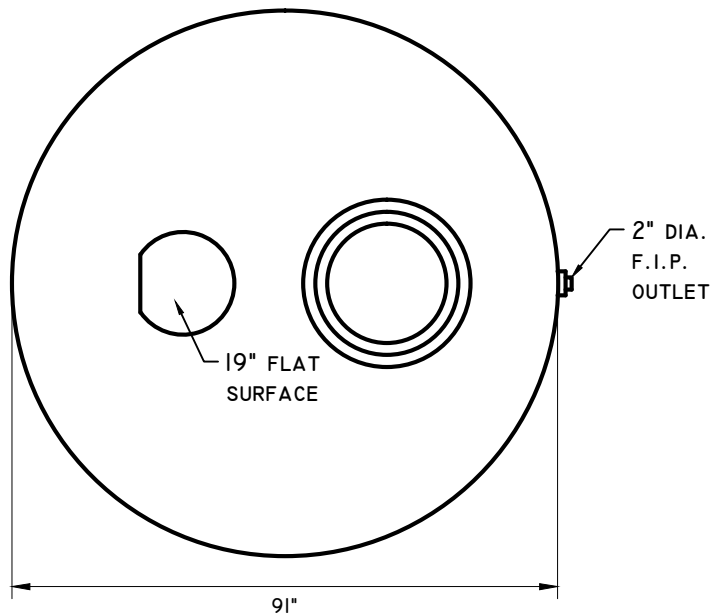


SIDE ELEVATION



FRONT ELEVATION



TOP VIEW

NOTE: ALL DIMENSIONS AND VOLUMES ARE NOMINAL



www.premierplastics.com 1-800-661-4473

VERTICAL WATER TANK

1200 IMP. GALLON - VWI200

1440 US. GALLON - VUI440

POLYETHYLENE

DATE: SEPT 2008

SCALE: NTS

DRAWN: SGM

DWG. No. VWI200

REV.