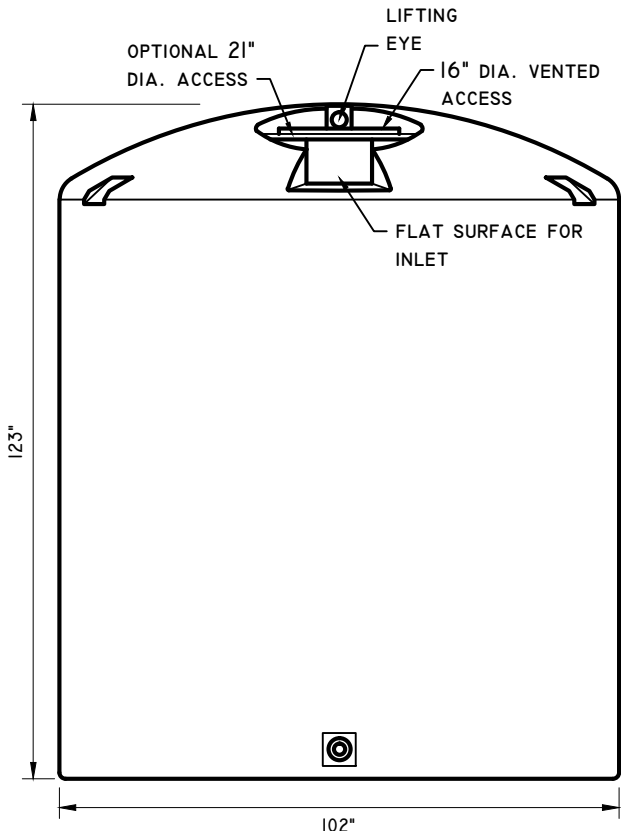
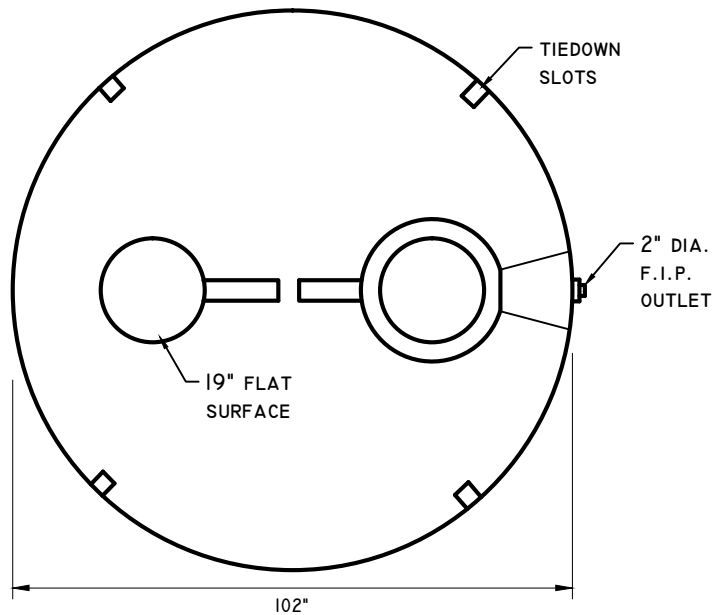


SIDE ELEVATION



FRONT ELEVATION



TOP VIEW

NOTE: DIMENSIONS AND VOLUMES ARE NOMINAL



www.premierplastics.com 1-800-661-4473

**VERTICAL WATER TANK**

3330 IMP. GALLON - VW3330

4000 US. GALLON - VU4000

POLYETHYLENE

DATE: AUG 2008

SCALE: NTS

DRAWN: SGM

DWG. No. VW3330

REV.