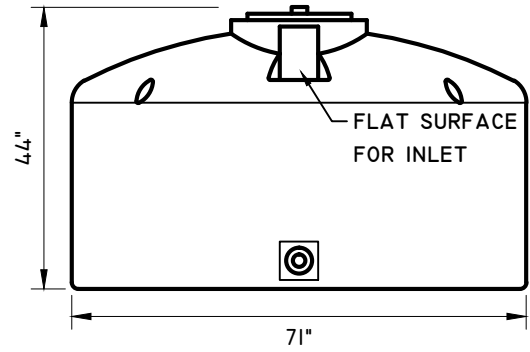
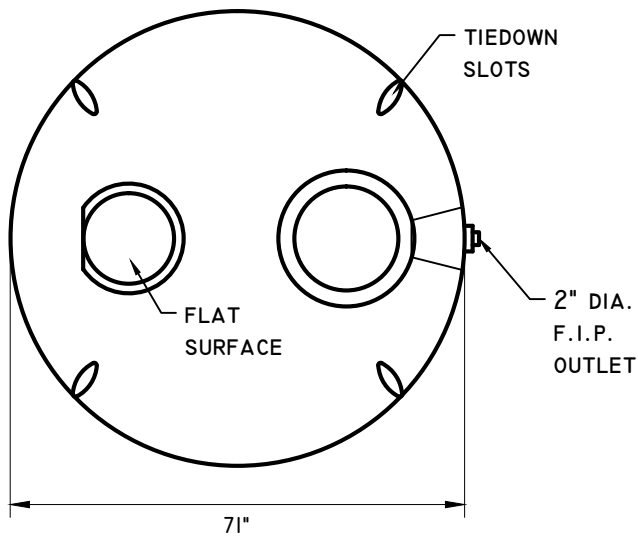


SIDE ELEVATION



FRONT ELEVATION



TOP VIEW

NOTE: ALL DIMENSIONS AND VOLUMES ARE NOMINAL



www.premierplastics.com 1-800-661-4473

## VERTICAL WATER TANK

480 IMP. GALLON - VW480

575 US. GALLON - VU575

POLYETHYLENE

DATE: JUNE 2008

SCALE: NTS

DRAWN: SGM

DWG. No. VW480

REV.