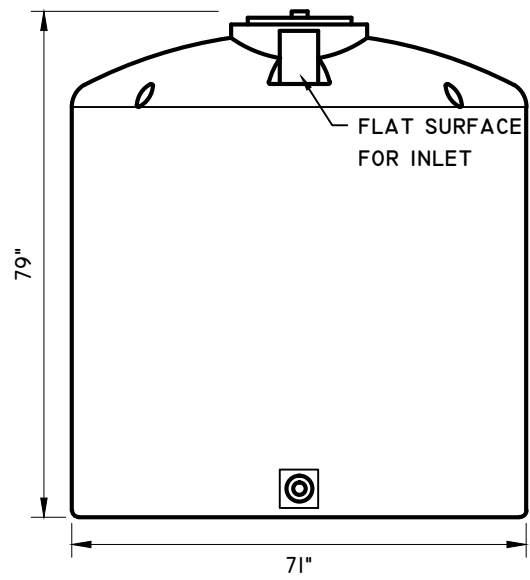
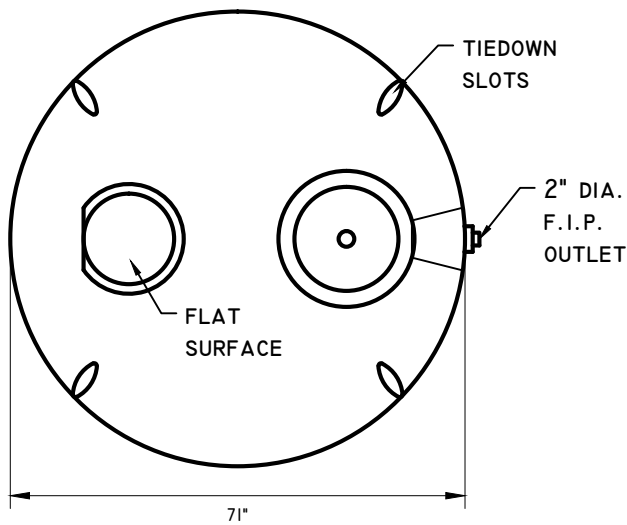


SIDE ELEVATION



FRONT ELEVATION



TOP VIEW

NOTE: ALL DIMENSIONS AND VOLUMES ARE NOMINAL



www.premierplastics.com 1-800-661-4473

## VERTICAL WATER TANK

960 IMP. GALLON - VW960

1150 US. GALLON - VUII50

POLYETHYLENE

DATE: JUNE 2008

SCALE: NTS

DRAWN: SGM

DWG. No. VW960

REV.