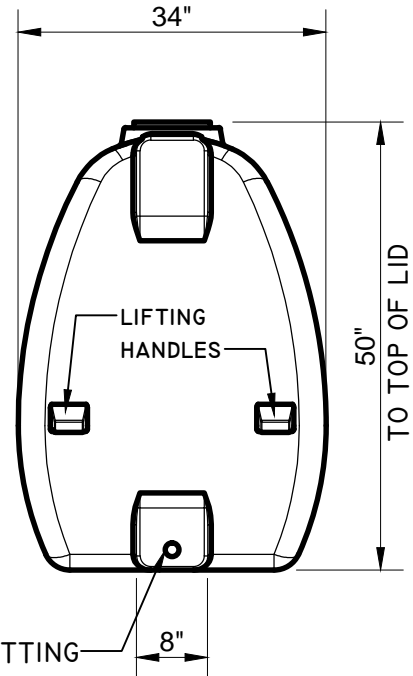
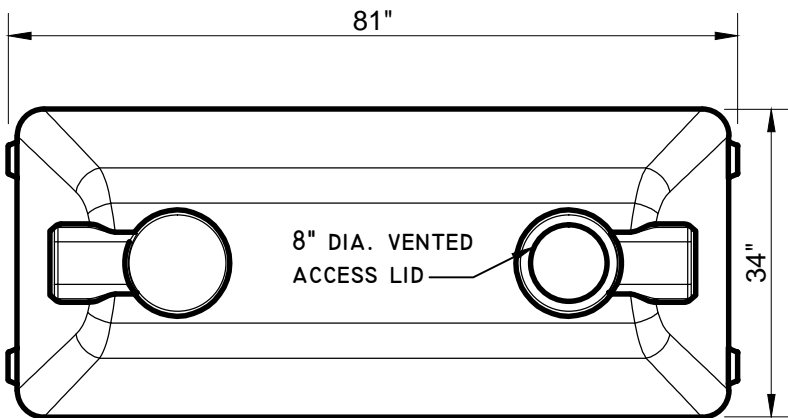


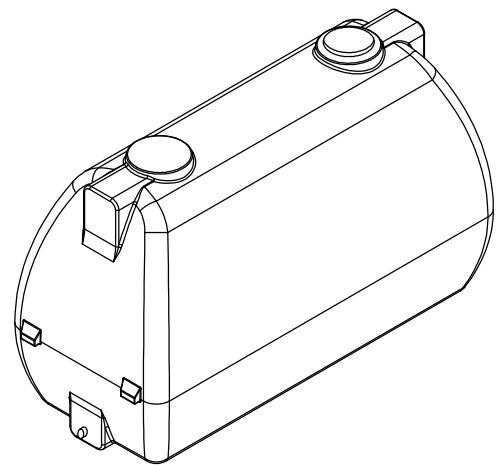
SIDE ELEVATION



END ELEVATION



TOP VIEW



ISOMETRIC VIEW

NOTE: -WILL PASS THRU 36" DOORWAY;
 -DIMENSIONS AND VOLUMES ARE APPROXIMATE



www.premierplastics.com 1-800-661-4473

HORIZONTAL
 RAINDROP TANK

MODEL RT375 - 375 IMP GAL
 - 1710 LITRES

DATE: MAR 2018

SCALE: NTS

DRAWN: JZ

SHEET. No. RT375

REV.