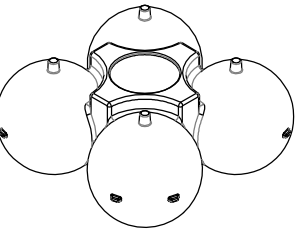
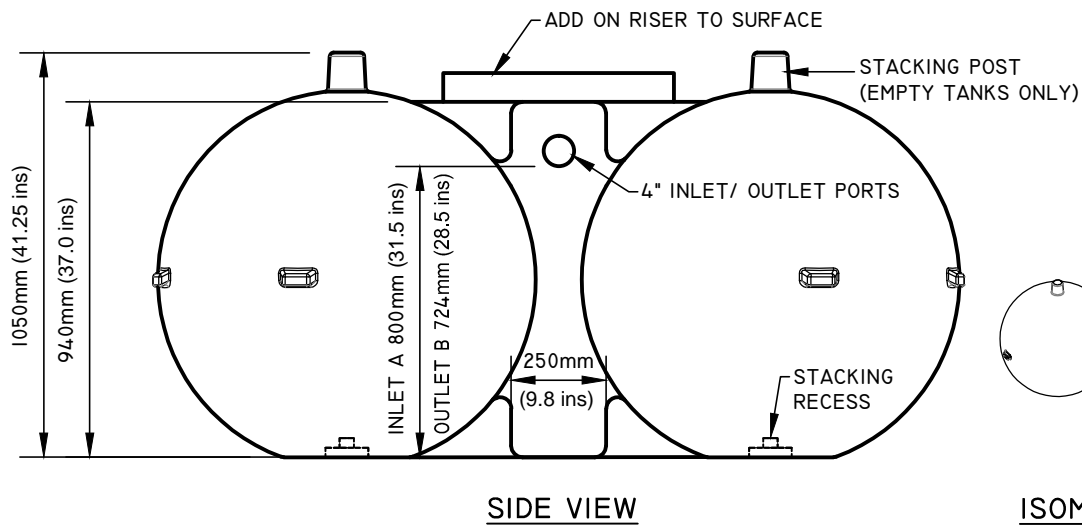


SERVICE MODELS	
PUMPOUT	PO 470
TRASH	TR 470
WATER	CIS 470



NOTE: DIMENSIONS AND VOLUMES ARE NOMINAL; MAXIMUM BURY COVER DEPTH: 1.22M OR SURFACE

MOUNT



www.premierplastics.com 1-800-661-4473

'BIG BERTHA'
 BOBBLE TANK (ULTRA LOW PROFILE)
 MODEL BT470 - 2140 LITERS
 470 IMP. GAL
 POLYETHYLENE

DATE: JUNE 2019

SCALE: NTS

DRAWN: JZ

SHEET. No.

REV. 2