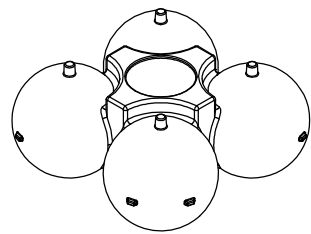
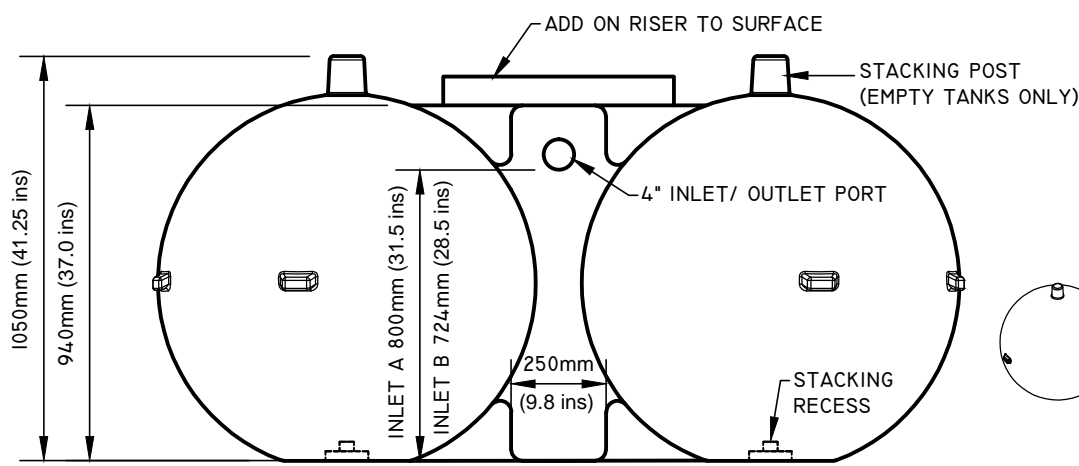


SERVICE MODELS	
PUMPOUT	POU 560
TRASH	TRU 560
WATER	BTU 560

PLAN VIEW



SIDE VIEW

ISOMETRIC VIEW

NOTE: DIMENSIONS AND VOLUMES ARE NOMINAL; MAXIMUM BURY DEPTH: 4FT. OR SURFACE MOUNT



www.premierplastics.com 1-800-661-4473

'BIG BERTHA'
 BOBBLE TANK (ULTRA LOW PROFILE)
 MODEL BTU 560 - 2140 LITERS
 560 US GAL
 POLYETHYLENE

DATE: JAN 2019
SCALE: NTS
DRAWN: JZ
SHEET. No.
REV.