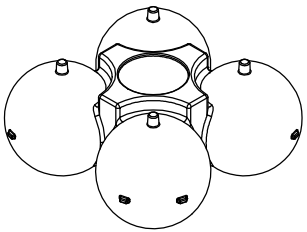
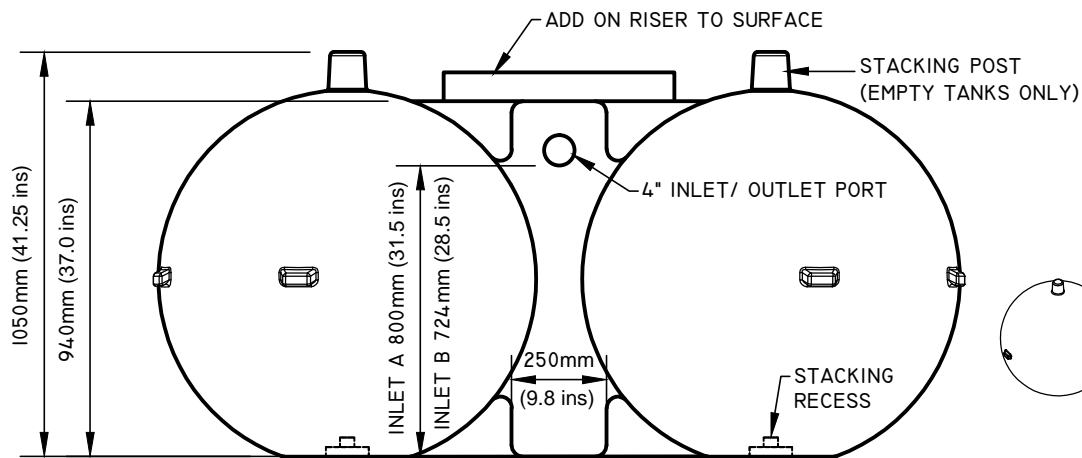


| SERVICE MODELS |         |
|----------------|---------|
| PUMPOUT        | PCU 560 |
| TRASH          | TRU 560 |
| WATER          | BTU 560 |

**PLAN VIEW**



**SIDE VIEW**

**ISOMETRIC VIEW**

NOTE: DIMENSIONS AND VOLUMES ARE NOMINAL; MAXIMUM BURY DEPTH: 4FT. OR SURFACE MOUNT



www.premierplastics.com 1-800-661-4473

BOBBLE TANK (ULTRA LOW PROFILE)

MODEL BTU 560 - 2140 LITERS  
560 US GAL

POLYETHYLENE

DATE: JAN 2019

SCALE: NTS

DRAWN: JZ

SHEET. No.

REV.