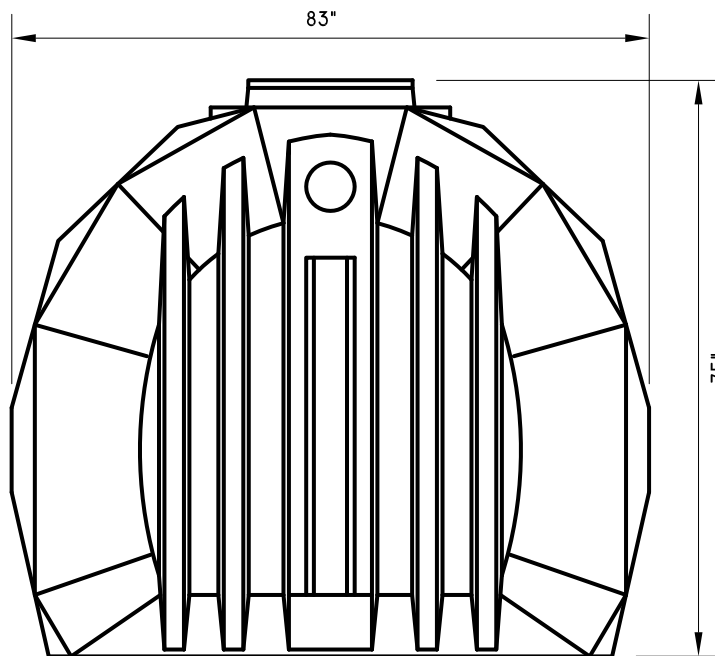


TOP VIEW



END ELEVATION

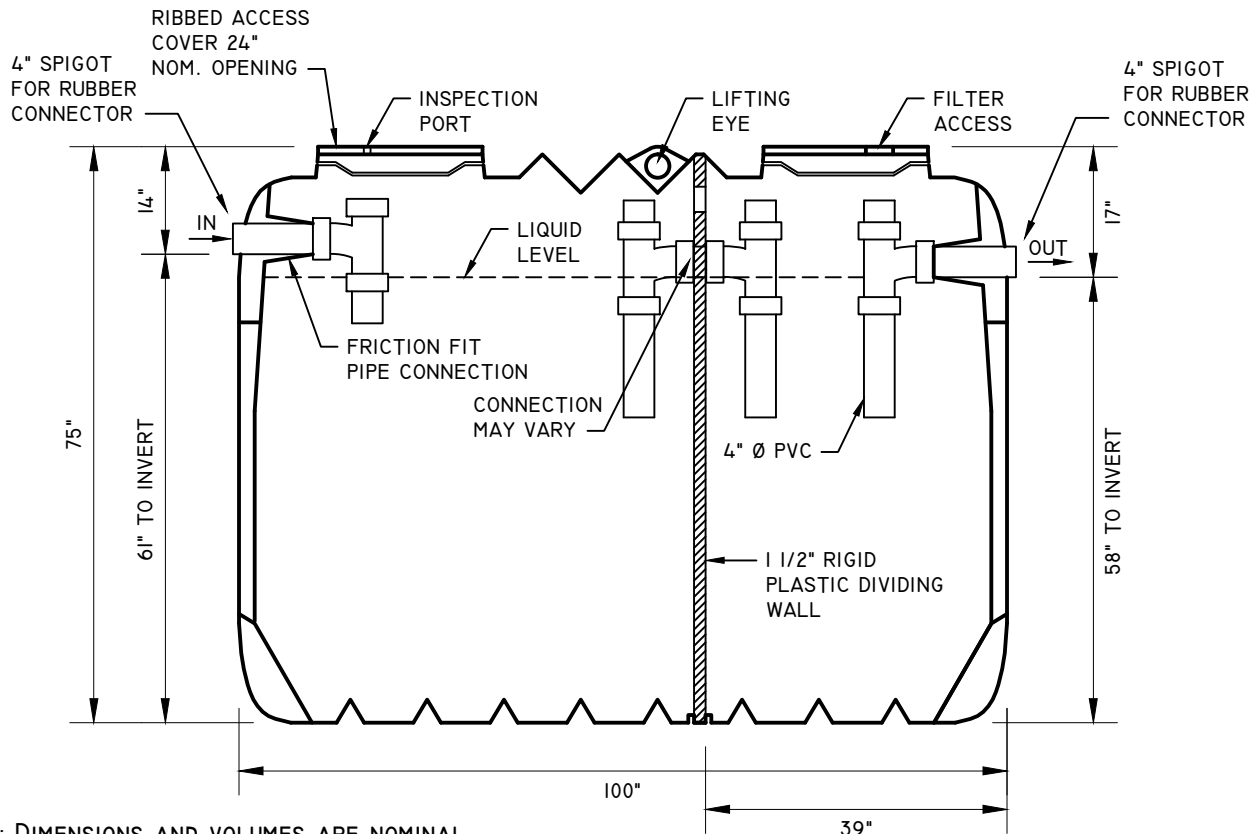
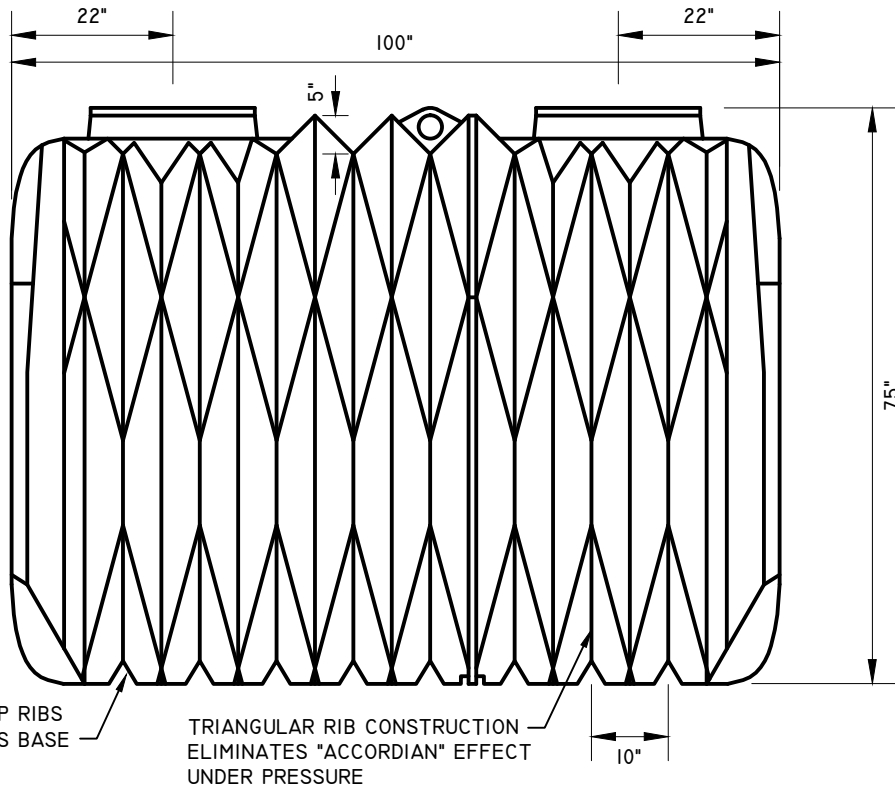
NOTE: DIMENSIONS AND VOLUMES ARE NOMINAL



www.premierplastics.com 1-800-661-4473

SEPTIC 'SUPERTANK'
 DOUBLE CHAMBER
 CAN MODEL STSI350D - 1375 IMP GAL

DATE: FEB 2017
SCALE: NTS
DRAWN: JZ
SHEET. No. 1 OF 2
REV.



NOTE: DIMENSIONS AND VOLUMES ARE NOMINAL
1" = 25.4MM



www.premierplastics.com 1-800-661-4473

SEPTIC 'SUPERTANK'

DOUBLE CHAMBER

CAN MODEL STSI350D - 1350 IMP GAL

DATE: JUNE 2010

SCALE: NTS

DRAWN: SGM

SHEET. No. 2 OF 2

REV. FEB 2019