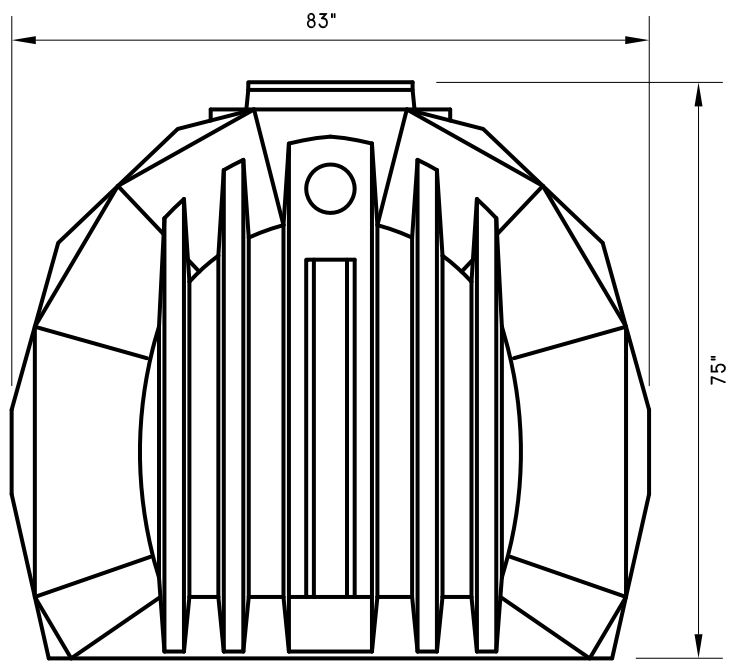


TOP VIEW



END ELEVATION

NOTE: DIMENSIONS AND VOLUMES ARE NOMINAL



www.premierplastics.com 1-800-661-4473

SEPTIC 'SUPERTANK'

DOUBLE CHAMBER

US MODEL STSUI500EH - 1650 US GAL

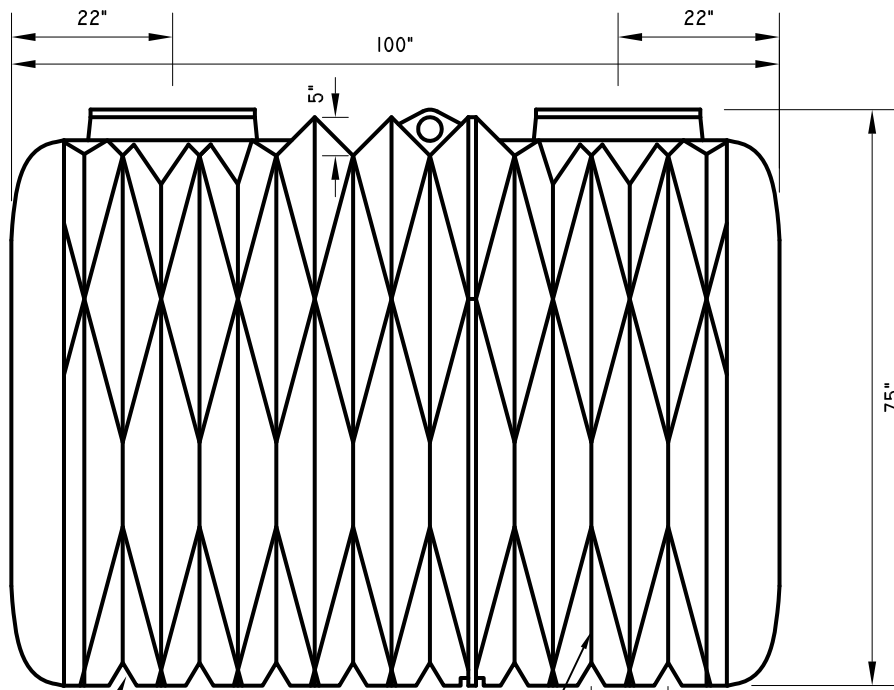
DATE: FEB 2017

SCALE: NTS

DRAWN: JZ

SHEET. No. 1 OF 2

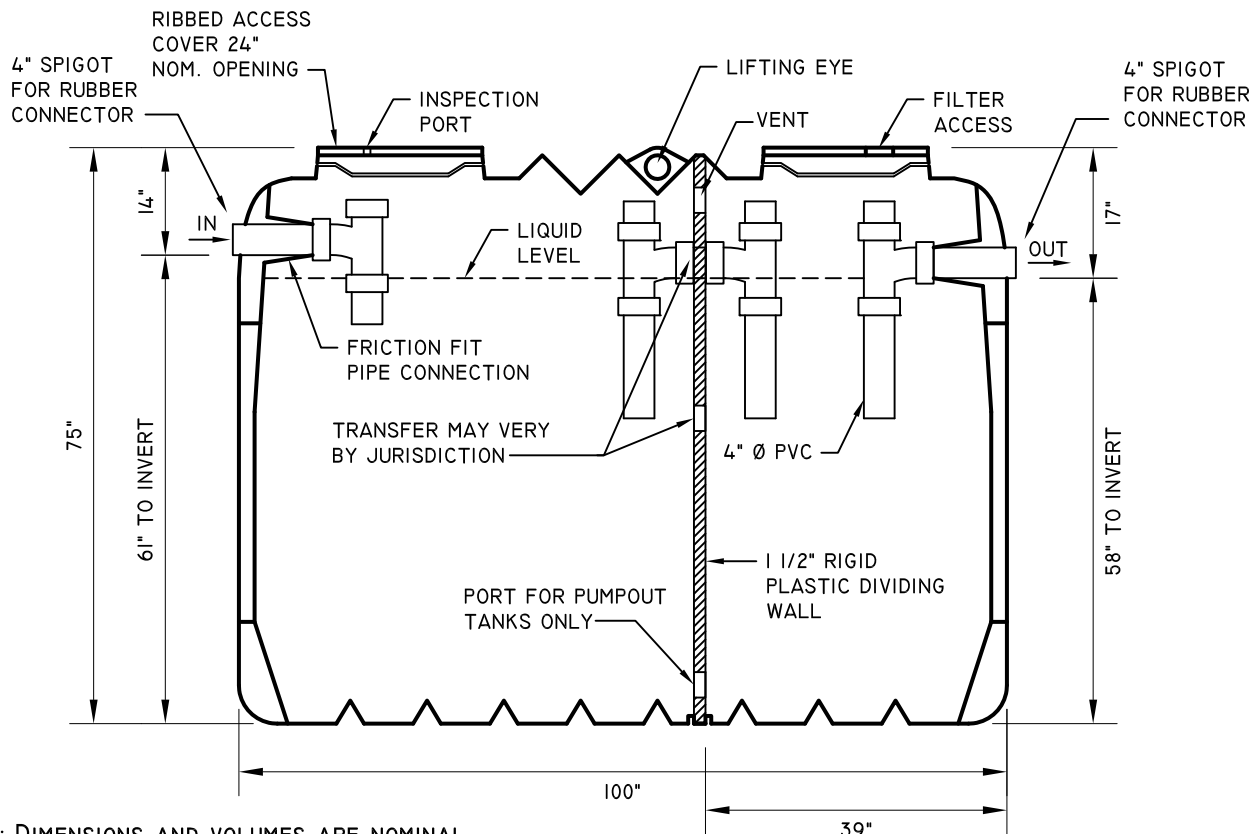
REV.



4" DEEP RIBS  
ACROSS BASE

TRIANGULAR RIB CONSTRUCTION  
ELIMINATES "ACCORDIAN" EFFECT  
UNDER PRESSURE

10"



NOTE: DIMENSIONS AND VOLUMES ARE NOMINAL



www.premierplastics.com 1-800-661-4473

SEPTIC 'SUPERTANK'

DOUBLE CHAMBER

US MODEL STSUI500EH - 1650 US GAL

DATE: FEB 2017

SCALE: NTS

DRAWN: JZ

SHEET. No. 2 OF 2

REV.