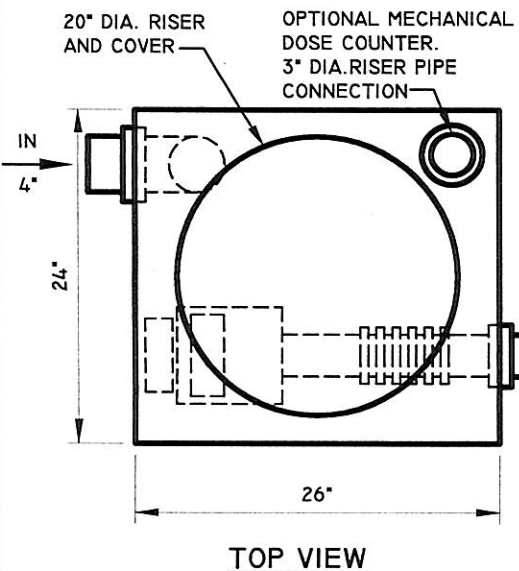


**SIDE ELEVATION**

**END ELEVATION**



**TOP VIEW**

**SERVICE**

FOR FLOOD DOSED OR PRESSURE SEPTIC FIELDS EXPOSES ENTIRE FIELD TO EFFLUENT. INCREASES EFFICIENCY AND LIFE OF FIELD. LESS COST AND MORE RELIABLE THAN SIPHON SYSTEMS. DOSE CAN BE FACTORY PRE-SET. NO STANDBY VOLUME REQUIRED FOR DOSING TANK.

**OPERATION**

1. FLOUT® FLOATS UP WITH RISING EFFLUENT IN TANK.
2. AT MAXIMUM RISE, EFFLUENT SPILLS INTO FLOUT®. FLOUT® LOSES BUOYANCY AND SINKS BACK.
3. EFFLUENT DISCHARGES THROUGH THE FLOUT® UNTIL LEVEL REACHES TOP OF FLOUT®. EFFLUENT IN FLOUT® AND DISCHARGE PIPE THEN DRAINS OUT.
4. FLOUT® RE-FLOATS TO RESTART THE CYCLE.

CALIBRATED DOSES UP TO 20 IMP GAL. AVERAGE OPEN END DISCHARGE RATE 50 IMP GPM.

**ASSEMBLED PACKAGE INCLUDES:**

POLY HOLDING TANK; 3" DIA. FLOUT AND BACK STOP, VENT/OVERFLOW; 4" INLET SEWER PIPE, RUBBER BUSHING AND INTERNAL FLOW DEFLECTOR; 3" DIA. DISCHARGE BULKHEAD FITTING AND 3" SCHED. 40 MALE ADAPTER; 20" DIA. POLYLOK ADAPTER RING, 6" HIGH RISER AND COVER.

**NOTES:**

1. 18" VERTICAL DROP INLET/ OUTLET INVERTS;
2. ALL DIMENSIONS AND VOLUMES ARE NOMINAL;
3. FOR PRESSURE FIELDS REFER TO GRAVITY 2017 PERFORMANCE APPLICATION;
4. MAX. BURY DEPTH - 18".



www.premierplastics.com 1-800-661-4473

FLOUT® DOSING TANK  
50 IMP GALLON - FLT B50

POLYETHYLENE

DATE: DEC 2017
SCALE: NTS
DRAWN: JZ
SHEET. No.FLT B50
REV. I